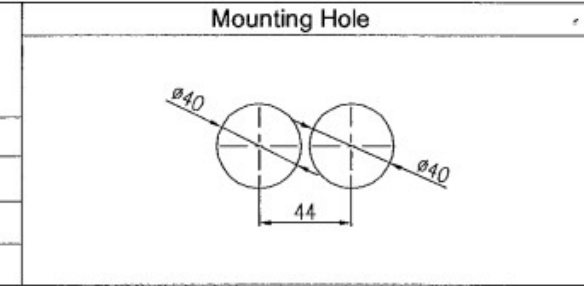
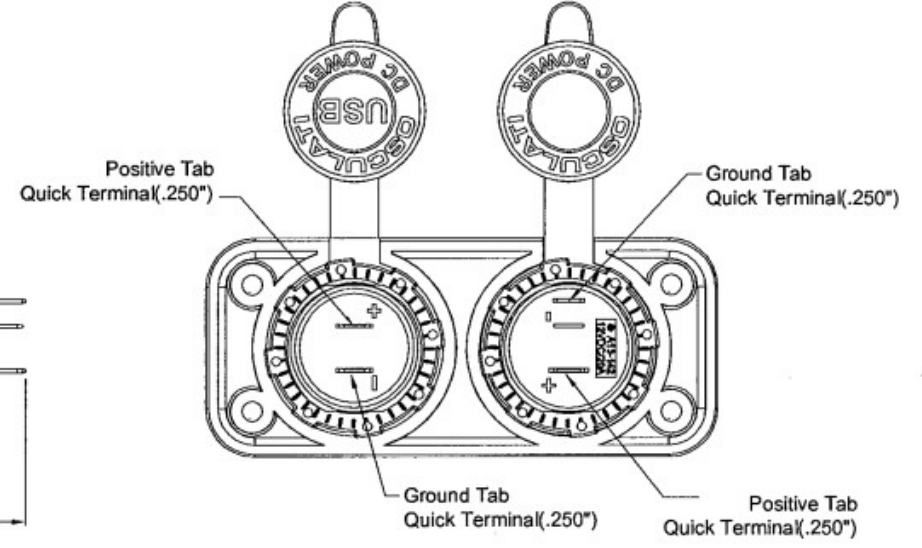
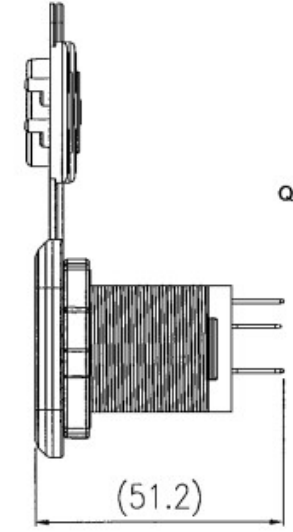
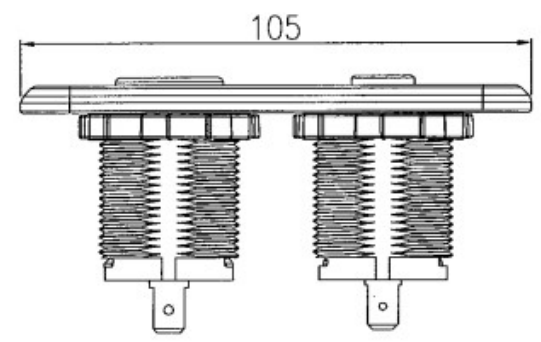
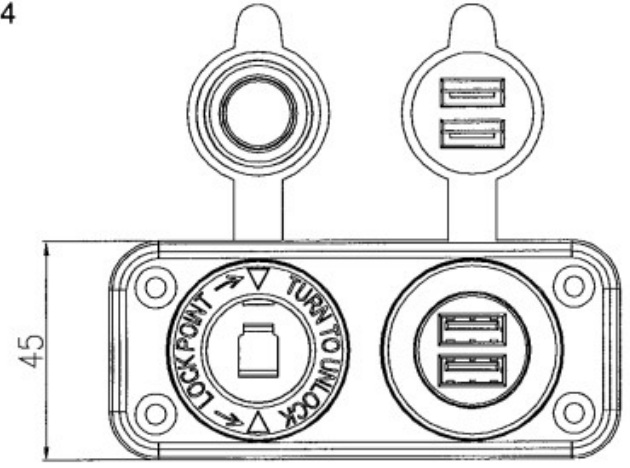


Rating	Input:12V/24V DC Output:USB Socket - 5V 2.1A max. Auto Socket - 20A max.
Insulation Resistance	DC 500V 100MΩ Min.
Dielectric Strength	AC 1500V 1 minute
Operating Temperature	-0℃-60℃
Approval	CE



Screw in Bulk  
Ø4XL14



- \*Housing: Pure White
- \*Panel: Pure White
- \*Dust-Proof Cover: Pure White
- \*Osculati double blister pack

1.Tolerances ±0.3 Unless Otherwise Specified